



INTEGRATION & INTERNET

cityWEB

Your direct access
to the Internet.

Via our highly available, redundant Gigabit-Ethernet-Backbone, cityWEB gets you on the Internet in the blink of an eye. Our own, direct fibre-optic lines connecting our network to the Internet exchange point in Vienna make it possible. Our cooperation with strategic intercontinental partners saves you unnecessary detours.

The cityWEB advantages at a glance:

- unlimited data transfer
- high service quality of your connection thanks to permanent monitoring and enhancement of our infrastructure
- guaranteed availability through redundant upstream connection
- Internet connectivity with/without overbooking
- symmetrical bandwidth of up to 10 Gbit/s
- future-proof, scalable fibre-optic access

Anything is possible.
With cityWEB even more than that.

LINZ AG TELEKOM offers more than standard solutions. We aim for solutions tailored to our customers' needs.

cityWEB can be combined with the intrusion prevention system cityPROTECT, the monitoring tool cityMON, the backup and storage solutions citySTORAGE, the domain service cityDOMAIN and PEERING, thereby offering you all the features of a perfect, customised solution.

PEERING

The cost-efficient shortcut
on the Internet.

With Peering we open up direct paths through the Internet. Save money by reducing the bandwidth requirement.

LINZ AG
TELEKOM

Details

We make sure we comply with the established rules and standards.

IEEE-Standards

IEEE* 802.3-2005, IEEE 802.3ab, IEEE 802.3z, IEEE 802.3u,
IEEE 802.3ad, IEEE 802.3ae, IEEE 802.1d-2004,
IEEE 802.1q-2003, IEEE 802.11a, IEEE 802.11g

* Institute of Electrical and Electronics Engineers

RFCs

RFC** 768, RFC 791, RFC 793, RFC 826, RFC 1930, RFC 1997,
RFC 2460, RFC 2827, RFC 3013, RFC 3330, RFC 3768, RFC 4271,
RFC 4632

**Request for comment (RFC)

Possible combinations

cityPROTECT (firewall, antivirus, antispam and intrusion prevention systems)

Professional protection for your networks and data

citySTORAGE (backup and storage solutions)

Professional protection against data loss

cityMON (monitoring tool)

Find out, what is really going on in the network!

cityDOMAIN

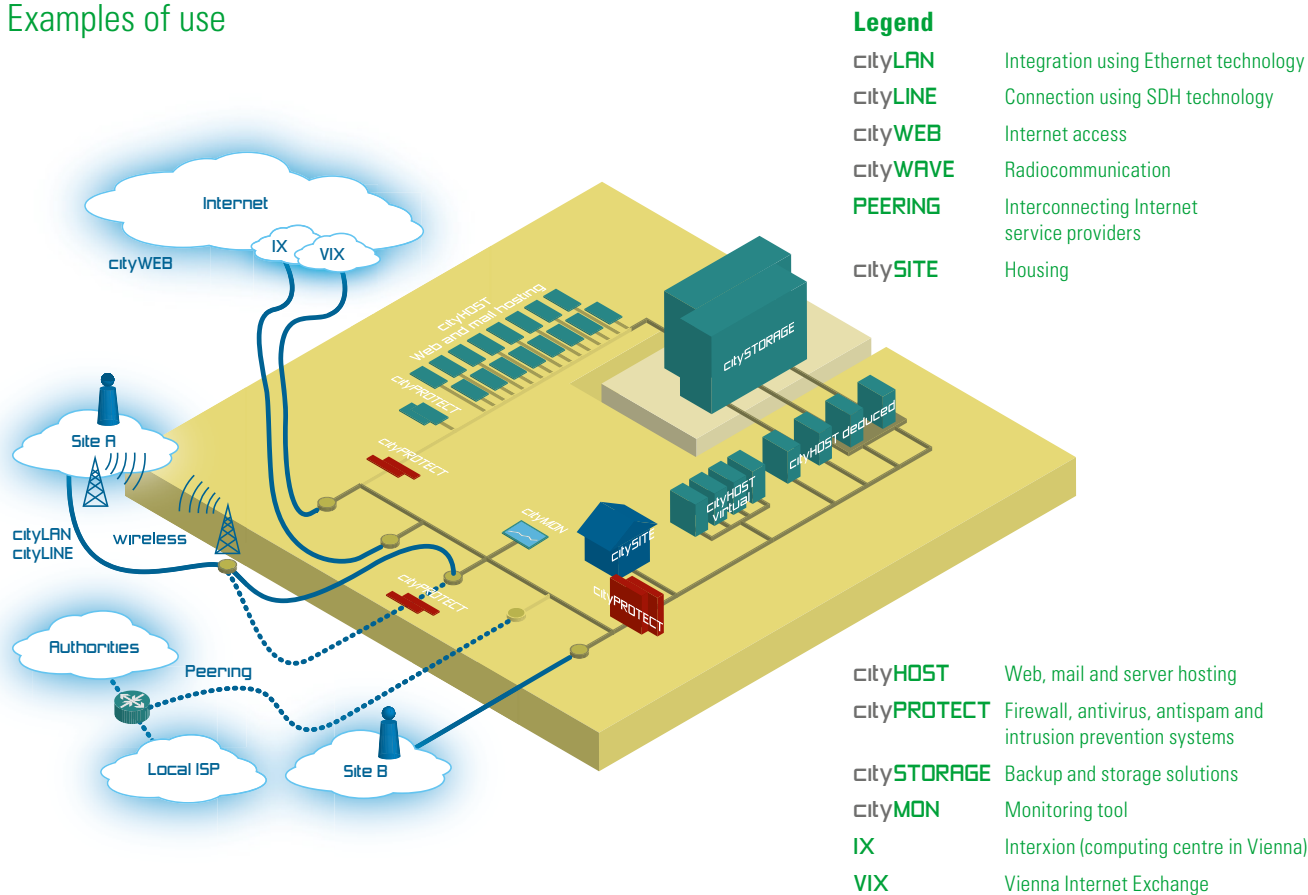
The best address for your web address

PEERING

Cost efficient shortcuts on the Internet

Available only in combination with cityLAN, cityLINE, citySITE or cityHOST.

Examples of use



Downloads at www.linzag-telekom.at

LINZ AG TELEKOM certification according to ISO/IEC 27001, ISO 9001, OHSAS 18001

Get in touch for a face-to-face consultation.

LINZ STROM GAS WÄRME GMBH für Energiedienstleistungen und Telekommunikation
4021 Linz, Wiener Straße 151, P.O.-Box 5009, Austria
phone: +43 (0)732/3400-9455, fax: +43 (0)732/3400-9456, e-mail: wir-sind-hier@linzag.at

LINZ AG
TELEKOM